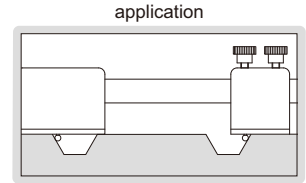
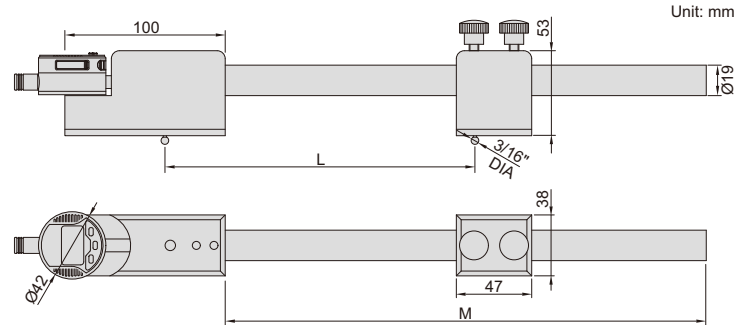


# DIGITAL GROOVE DIAMETER MEASURING INSTRUMENT

POINT DIAMETER CAN BE CUSTOM-MADE



2261-5



- Measure the groove diameter of flange ring groove
- Point height is adjustable
- Optional: data output cable (code **7315-50M**, **7302-40M**, **7305-40M**), groove standard block (code **6254**)

## Stem (optional)

Code	M
<b>2261-M24</b>	24"/600mm
<b>2261-M30</b>	30"/750mm
<b>2261-M36</b>	36"/900mm

Code	Range (L)	Movable point stroke	Resolution	Repeatability	M
<b>2261-5</b>	2.6-13"/66-330mm	0.2"/5mm	0.00005"/0.001mm	0.002mm	12"/300mm